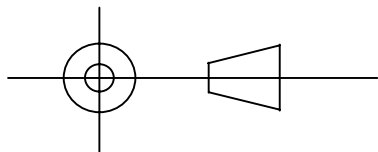
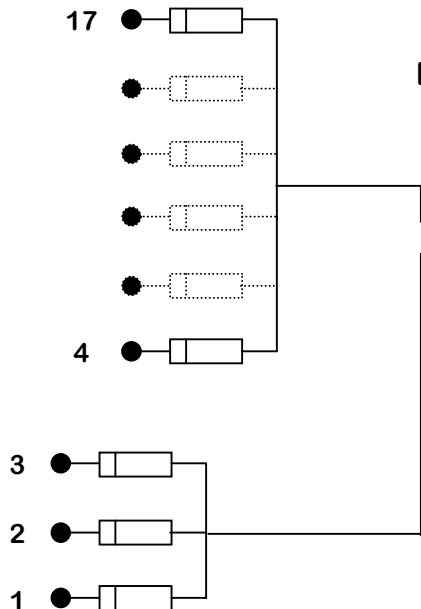


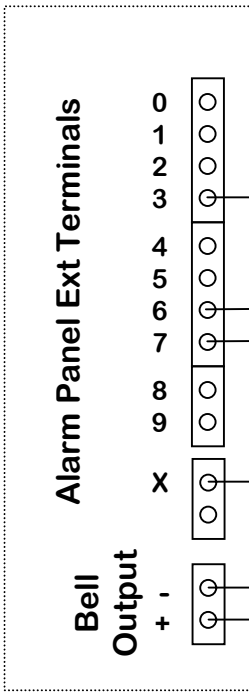
3<sup>rd</sup> Angle Projection



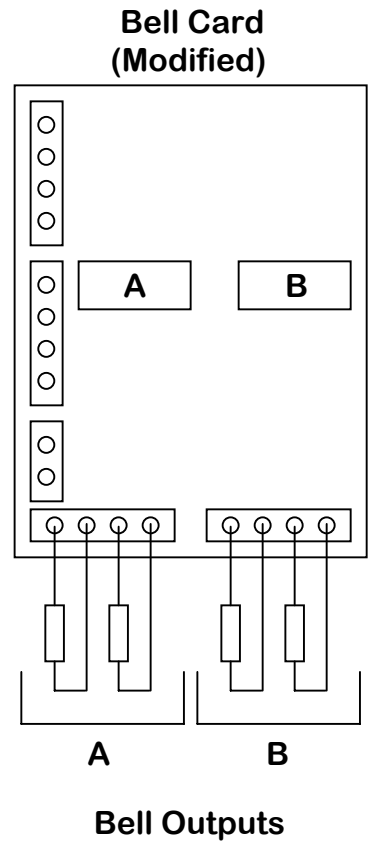
Fire Zone repeater Outputs



Diodes = 1N 5819



N/C  
N/C  
B  
A



Note :-  
A Fire condition on zones 1, 2 or 3 will drive Bells connected to outputs marked A.  
  
A Fire condition on zones 4 – 17 will drive Bells connected to outputs marked B.  
  
“X” point connection is required for Total Evacuation.

Drn	Date	Iss	Notes	Scale	Title :- Connections for Zoned Bells
RJW	0205	A	First Issue	Finish	
RJW	0205	B	Bell Circuit connections added		
Nebula PPS Ltd, Lancing, W Sussex, BN15 8TU, (01903) 766642					Drg No :- 0205 / 4