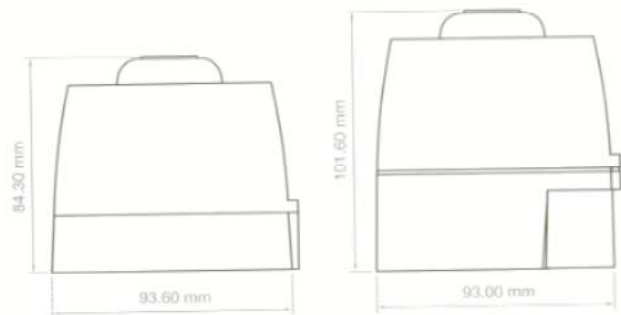




VTG-32-SB

VTG-32-DB



Description

The new 32-tone Vantage siren is an exciting addition to the Vantage product range. With a wide range of operating frequencies from 440Hz to 2900Hz, all of these fully synchronised tones have been selected to comply with the latest sound patterns and frequencies used throughout the world.

All the standard Vantage features are retained, including the facility to select from three volume settings via the PCB mounted DIL switch. This allows individual sirens to be converted to high output devices where additional sound output is required.

Standard on all Vantage products is a universal locking system. Using an industry standard grub screw, Vantage products may be locked in place, making Vantage fully compliant with the latest requirements of British and European standards.

Quick fit installation is achieved by the bayonet fixing arrangement standard on both base variants. The deep mounting base offers ingress protection to IP65 and features a cover plate that is discarded for surface wiring and kept in place when wiring directly through into the rear of the product.

Tone List

No. Tone	Description	Switch 25456	Second Stage Alarm
1	LF Sweep (Cranford sweep)	800-1000 Hz @ 0.5 sec	11111 800 Hz cont
2	Alternative warble BS standard	800/960 Hz @ 2 Hz	11110 800 Hz cont
3	Warble Tone BS standard	800/1000 Hz @ 0.5 sec	11101 800 Hz cont
4	Alternative warble BS standard	500/600 Hz @ 2 Hz	11100 500 Hz cont
5	HF Back up Interrupted tone	2800 Hz @ 1.0 sec on/off	11011 2800 Hz cont
6	LF Back up Alarm	800 Hz @ 150 msec on/off	11010 800 Hz cont
7	HF Back up Interrupted tone - fast	2800 Hz @ 150 msec on/off	11001 800 Hz cont
8	LF Continuous tone BS5839	800 Hz cont	11000 Same tone
9	Sweep tone (1 Hz)	800/900 Hz @ 1Hz	10111 800 Hz cont
10	Australian slow whoop	Intermittent 970 Hz 0.625ms on / 0.625ms off	10110 500-1200 Hz 3.75 sec on 0.25 sec off
11	Dutch sweep tone	970 Hz cont	10101 500-1200 Hz 3.5 sec on 0.5 sec off
12	Analogue sweep tone	500/600 Hz @ 2 Hz	10100 500 Hz cont
13	Sweep tone (3 Hz)	800/970 Hz @ 3 Hz	10011 800 Hz cont
14	Alternate HF slow sweep	2350/2900 Hz @ 3 Hz	10010 2400 Hz cont
15	Fast HF sweep	2400-2800 Hz @ 7 Hz	10001 2400 Hz cont
16	US Temporal Pattern LF	950 Hz for 0.5 sec on 0.5 sec off x 3 then 1.5 sec then repeat	10000 800 Hz cont
17	Interrupted tone BS standard	Interrupted tone 800 Hz @ 0.5 sec on/off	01111 800 Hz cont
18	ISO 6201 LF BS5839 Pt 1 1998	Intermittent 970 Hz 500 ms on / 500 ms off	01110 Same tone
19	Interrupted tone medium	1000 Hz @ 0.25 sec on / off	01101 800 Hz cont
20	ISO 6201 HF	Intermittent 2650 Hz 500 ms on / 500 ms off	01100 Same tone
21	Continuous tone	1000 Hz continuous	01011 Same tone
22	LF Buzz	800-950 Hz swept @ 110 Hz	01010 800 Hz cont
23	HF Continuous	2800 Hz	01001 2800 Hz cont
24	Sweep tone (9 Hz)	800-970 Hz @ 9 Hz	01000 800 Hz cont
25	German DIN tone	Sweep 1200-500 Hz @ 1 Hz	00111 800 Hz cont
26	Swedish Fire signal	Intermittent 600 Hz 150 ms on / 150 ms off	00110 Same tone
27	French tone AFNOR	554 Hz for 100 ms and 440 Hz for 400 ms	00101 800 Hz cont
28	Swedish air clear signal	Continuous 660 Hz	00100 Same tone
29	US Temporal Pattern HF	2900 Hz for 0.5 sec on 0.5 off x 3, off for 1.5 sec then repeat	00011 2900 Hz cont
30	Green 2 way ramp (short)	500/1200 Hz rising then falling 0.25 sec	00010 800 Hz cont
31	FP1063.1-Telecom	Alternating tone 800/970 Hz @ 2 Hz	00001 800 Hz cont
32	Green 2 way ramp (long)	500/1200 Hz 3 sec rising / 3 sec falling	00000 800 Hz cont

Product Code:	VTG-32-SB			VTG-32-DB		
	Low	Med	High	Low	Med	High
Sound Level:						
Sound Output - @ 1 metre (Tone 1):	91 dBA	106 dBA	111 dBA	91 dBA	106 dBA	111 dBA
Current Consumption @ 24v dc:	≤ 9 mA	≤ 18 mA	≤ 36 mA	≤ 9 mA	≤ 18 mA	≤ 36 mA
Voltage Range:	15-35v dc			15-35v dc		
Number of Tones:	32			32		
Operating Frequency:	440Hz to 2900Hz			440Hz to 2900Hz		
IP Rating:	IP43			IP65		
Temperature Range:	-20°C to +70°C			-20°C to +70°C		
Weight (per unit packed):	220g			250g		
(Sounders are available in red or white by adding -R (red) or -W (white) to the end of the product code)						