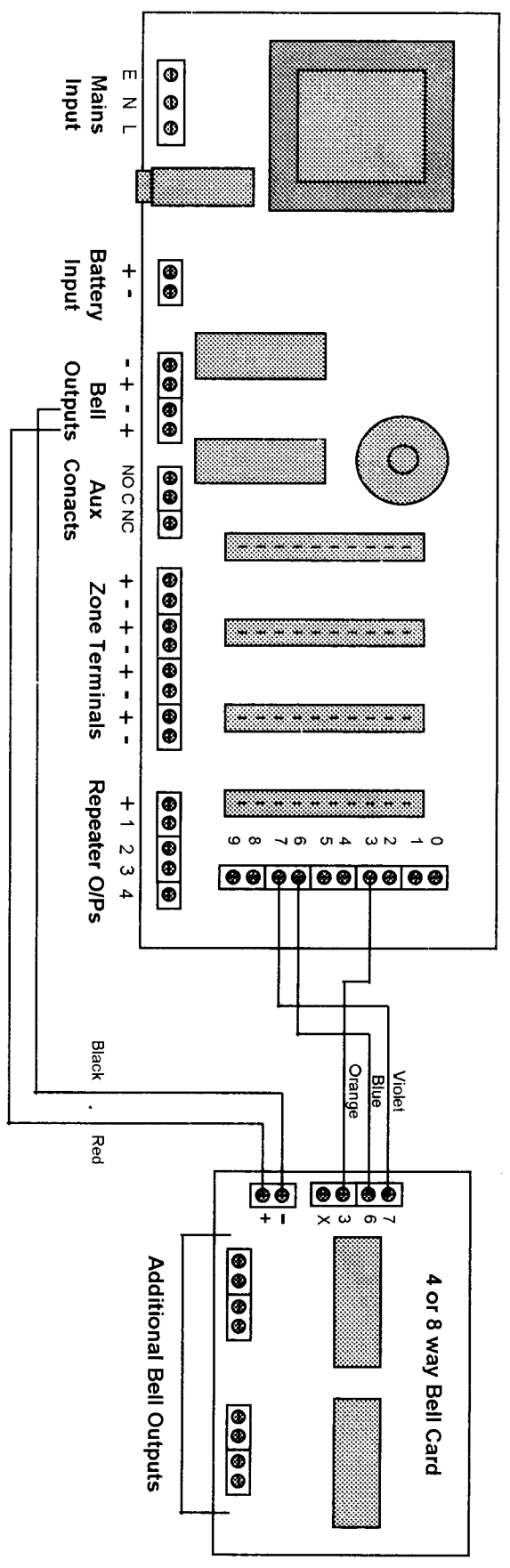


Existing Main Control Pcb (PC20222 or PC 2027).



DRAWN R.J.W		MATERIAL	TOLERANCES	SCALE	TITLE	SECURITY CLASSIFICATION
CHECKED R.J.W			0.0 +/- 0.2mm 1 DEC 0.00 +/- 0.02mm 2 DEC	Not to scale	Fitting Additional Bell Outputs Using PC2028 (Bell Card).	DRAWING NUMBER
APPROVED R.J.W	ISSUE A	FINISH	UNLESS OTHERWISE STATED	ALL DIMENSIONS IN MILLIMETRES NON ACCUMULATIVE TOLERANCES	Nebula PPS Ltd. Unit 21 Winston Business Centre, Lancing W Sussex, BN15 8TU	SHEET NUMBER
	DATE 04/03					
	APP					