

Nebula Environmental Monitoring



RELIABLE, FLEXIBLE &
COST EFFECTIVE

The Nebula EM platform offers an extremely flexible multi-channel alarm system which can be adapted to provide advanced warnings of a large range of conditions from abnormal or excessive temperatures to power failure indication, flood alerts and power system overloads.

Nebula-PPS Ltd. Unit 3, Winston Business Centre, 43 Chartwell Road, Lancing, W Sussex, BN15 8TU.

www.nebula-pps.co.uk

info@nebula-pps.co.uk

01903 766642

Nebula EM Platform and Alarm System.

Enhanced DATA security and early indication of catastrophic system failure.

With flexibility in mind, the Nebula EM Platform has been developed to provide cost effective and highly reliable advanced warnings of extreme environmental conditions such as high temperatures, flood risk, excessive or abnormal power consumption and complete power supply failure.

The platform features a 4 channel monitoring system and provides "Global" and individual alarm outputs each of which can be pre-set by the user.

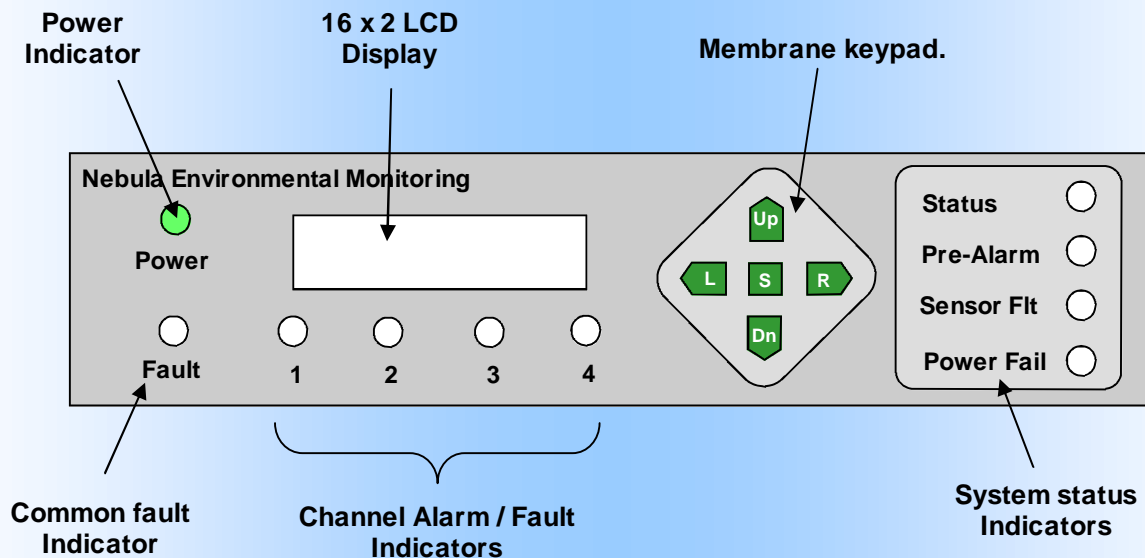
Pre-Alarms can also be enabled to provide an early warning of potential problems before they actually occur.

Alarm set points are stored in Non volatile memory and can be changed easily via the simple user interface.

Alarm output relay contacts are provided for "Global" Alarms, Pre-Alarms, "Global" Faults and System power failure.

Individual Channel alarm relay contacts can be supplied via a separate plug in module which is available separately.

The DIN Rail Mounted EM unit can be powered from either 230v 50Hz mains with battery back-up or from an external 12/24vDC power source.



Input / Output Options :-

4 Channel Temperature Alarm

Ideal for monitoring IT equipment cabinets and computer rooms.

Pre-Alarms can be used to trigger back-up routines and drive air conditioning vents etc..

Power Supply monitor

CT transformers can be used to provide an early warning of abnormal power use, indicating potential system failure.

Alarm Outputs

Additional Alarm output modules include :-
Relay Modules, Automatic telephone diallers
GSM diallers and M2M signalling.

LAN interface (For Future development).

Nebula-PPS Ltd. Unit 3, Winston Business Centre, 43 Chartwell Road, Lancing, W Sussex, BN15 8TU.

www.nebula-pps.co.uk

info@nebula-pps.co.uk

01903 766642